



VISION & DESIGN



Muzzle Break "Troll"

User manual

Vision & Design
Sandnes. NO.
www.thevision-products.com

CONTENTS

- 1. SAFETY 3
 - SAFETY FEATURES 3

- 2. PARTS IDENTIFICATION 4
 - Muzzle Break "Troll" .24/.26/.30 85 grams M15-1 and M18-1 4
 - Muzzle Break "Troll" .24/.26/.30 85 grams M14-1 and M18-1 5
 - Muzzle Break "Troll" .24/.26/.30 85 grams 5/8-24 and .1/2-24 6

- 3. SETTING UP THE MUZZLE BREAK 7

1. SAFETY



Caution!!
Damage to property, injury or death may result if safety warnings and instructions are not followed.

Before attempting to use or handle the muzzle brake, this manual must be read and understood fully. This manual assumes a basic level of user familiarity with firearms and is not a replacement for user training. If you do not have the competence to do the mounting safe, please contact your local gunsmith for help and guidance.

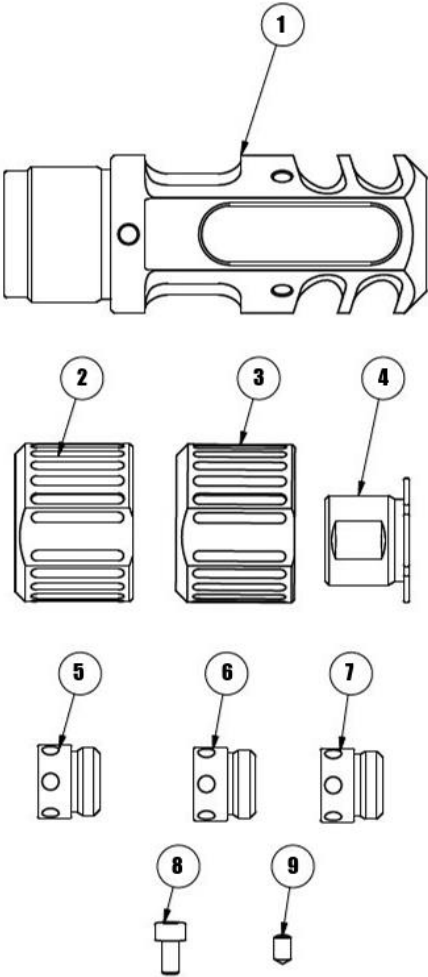
- Always check that the bore is in line with hole of the muzzle brake.
- Check bullet diameter of bushing before firing your gun.
- Always keep the weapon pointed in a safe direction during handling.
- Never leave a weapon unattended.
- Always wear suitable eye and hearing protection when firing the weapon.
- Always check the barrel, muzzle brake and suppressor, where fitted, are clear of debris and obstructions before firing.
- Never attempt to clear an obstruction by firing.
- When the rifle is loaded, always keep fingers outside of the trigger guard until a shot is to be fired.



Caution!!
Do not overtighten screws ore counter nut.

2. PARTS IDENTIFICATION

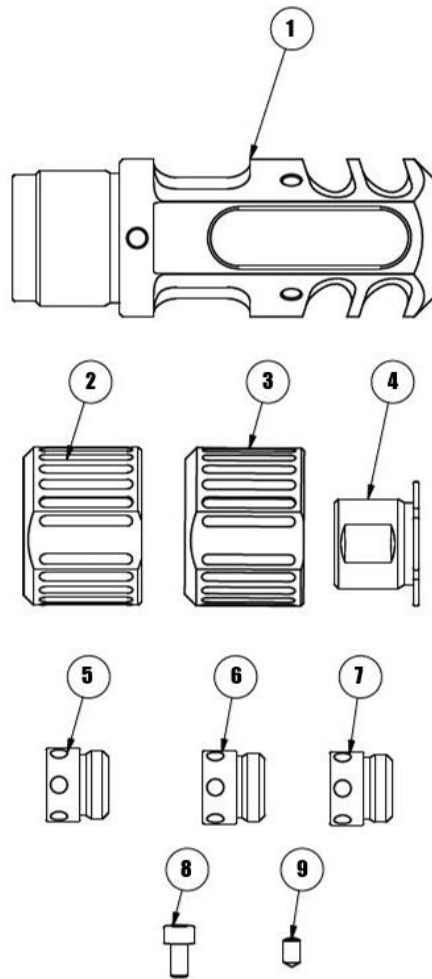
- Muzzle Break "Troll" .24/.26/.30 85 grams M15-1 and M18-1



- 1. Muzzle break M18-1
- 3. Counter nut Ø16
- 5. Bushing max .243
- 7. Bushing max .30
- 9. Quill screw m4x6

- 2. Counter nut Ø19
- 4. Thread transition M18 to M15
- 6. Bushing max .264
- 8. Screw M4x6

- Muzzle Break "Troll" .24/.26/.30 85 grams M14-1 and M18-1



1. Muzzle break M18-1

2. Counter nut $\varnothing 19$

3. Counter nut $\varnothing 15$

4. Thread transition M18 to M14

5. Bushing max .243

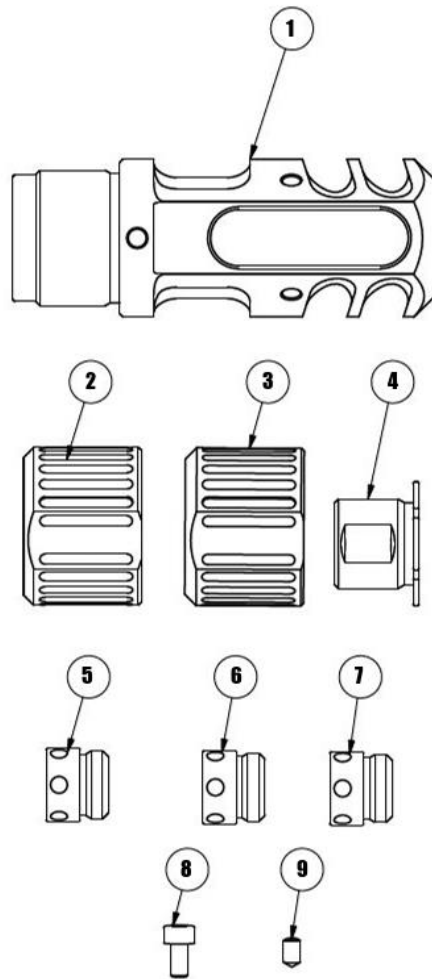
6. Bushing max .264

7. Bushing max .30

8. Screw M4x6

9. Quill screw m4x6

- Muzzle Break "Troll" .24/.26/.30 85 grams 5/8-24 and .1/2-24



1. Muzzle break 5/8-24

2. Counter nut $\varnothing 16$

3. Counter nut $\varnothing 13$

4. Thread transition 5/8-24 to $\frac{1}{2}$ -28

5. Bushing max .243

6. Bushing max .264

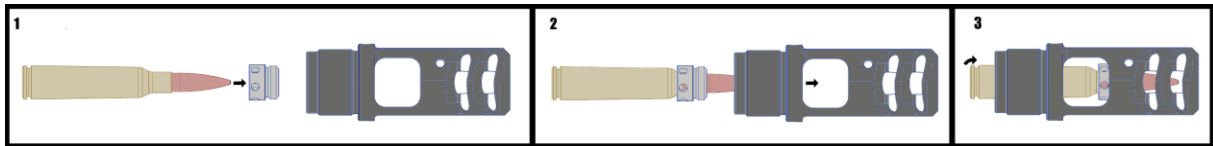
7. Bushing max .30

8. Screw M4x6

9. Quill screw m4x6

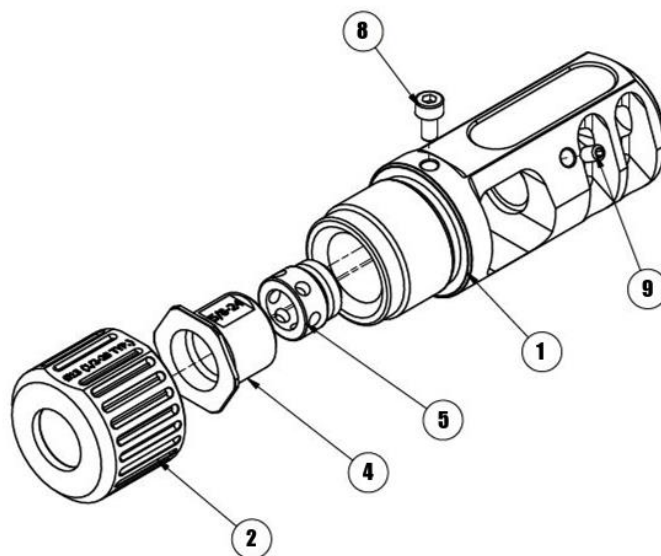
3. SETTING UP THE MUZZLE BREAK

1. Select the right size bushing for your ammunition. The max size ammunition is written on the side of the bushing. To thread the bushing into the muzzle break, use one of the cartridges you are going to shoot with the rifle as shown in pictures below. Tighten the bushing using a 3mm allen key trough two of the holes on the side of the bushing. Secure the bushing using the supplied quill screw.



2. Depending on the threads of your barrel you may have to use the thread transition. It screws inside the main threads of the muzzle break, tighten with a fitting wrench.

3. Select the counter nut that fits your barrel. Screw the counter nut on the muzzle break. Screw the muzzle break on to the barrel all the way inn. Turn it back until the muzzle break aligns in the wanted position. Hold the muzzle break in the position with a wrench and tighten the counter nut against the barrel. Caution! Do not overtighten.



4. If you are using a mirage shield use the supplied m4x6 screw in the hole on the top of the muzzle break.